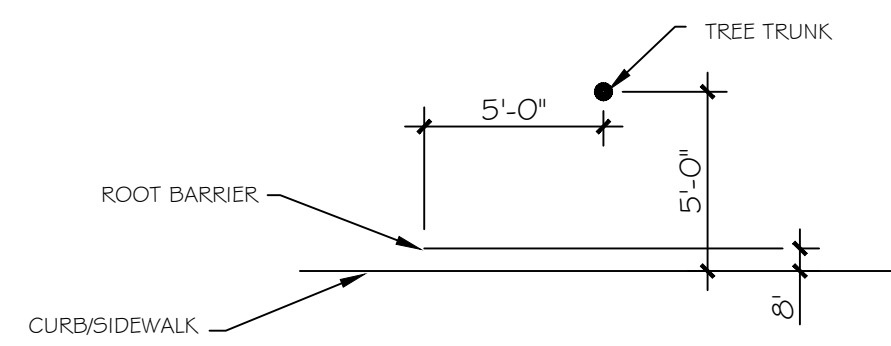
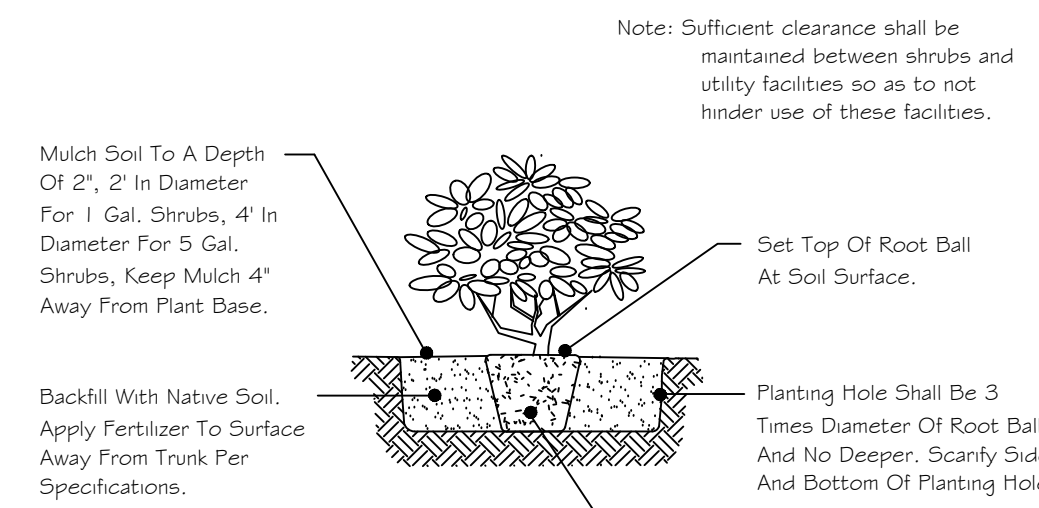


1 PLANTING AND STAKING W/ROOT BARRIER
 INSTALLATION DETAIL NO SCALE

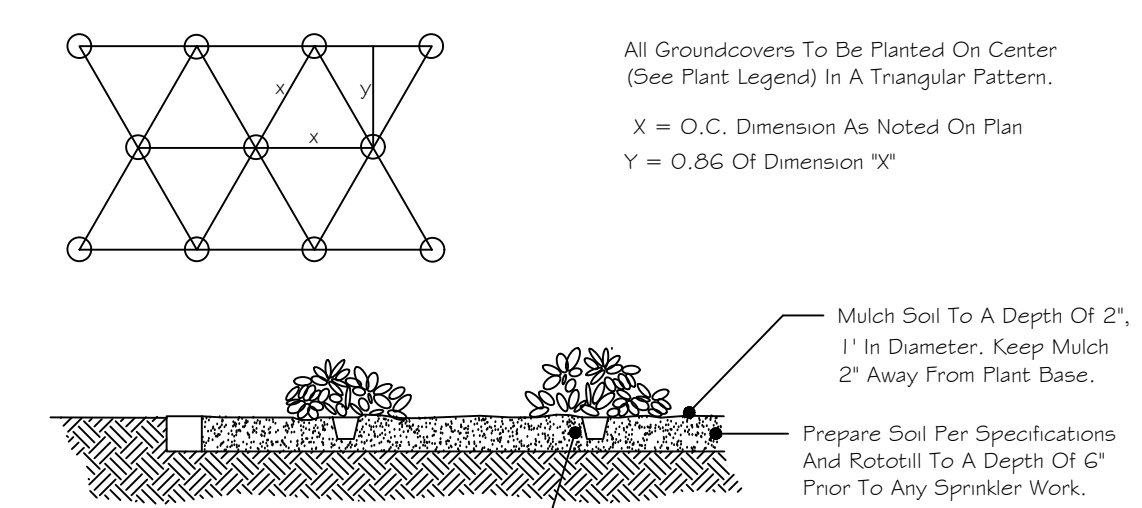


NOTE:
 1. INSTALL ROOT BARRIERS PER DETAIL UNLESS OTHERWISE NOTED. INSTALL A CONTINUOUS ROLL OF ROOT BARRIER (24" DEEP).
 2. 1' ON EACH SIDE OF TRUNK, AGAINST ALL WALKS WHEN TREE IS WITHIN 5' OF WALK.

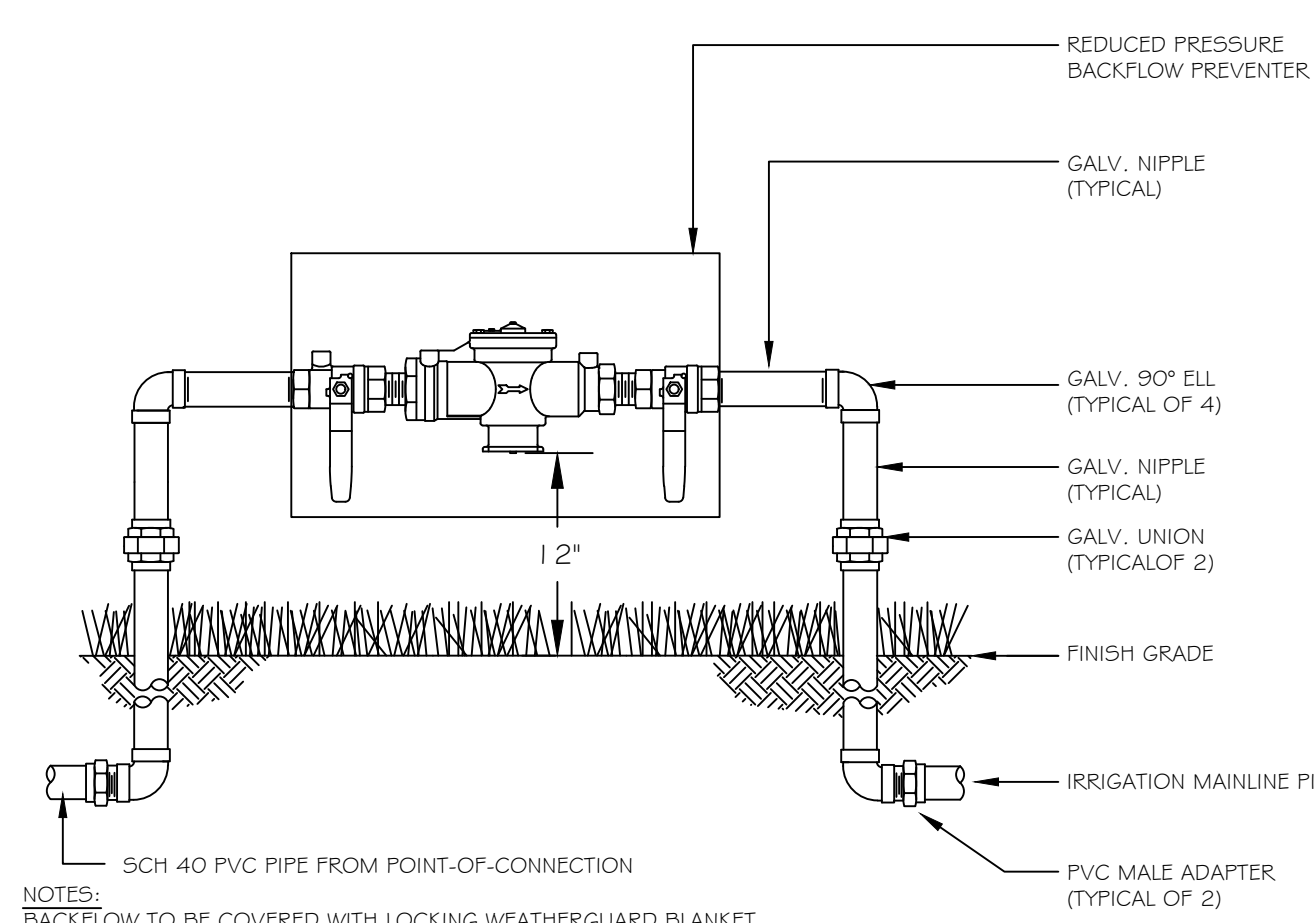
2 ROOTBARRIER
 INSTALLATION DETAIL NO SCALE



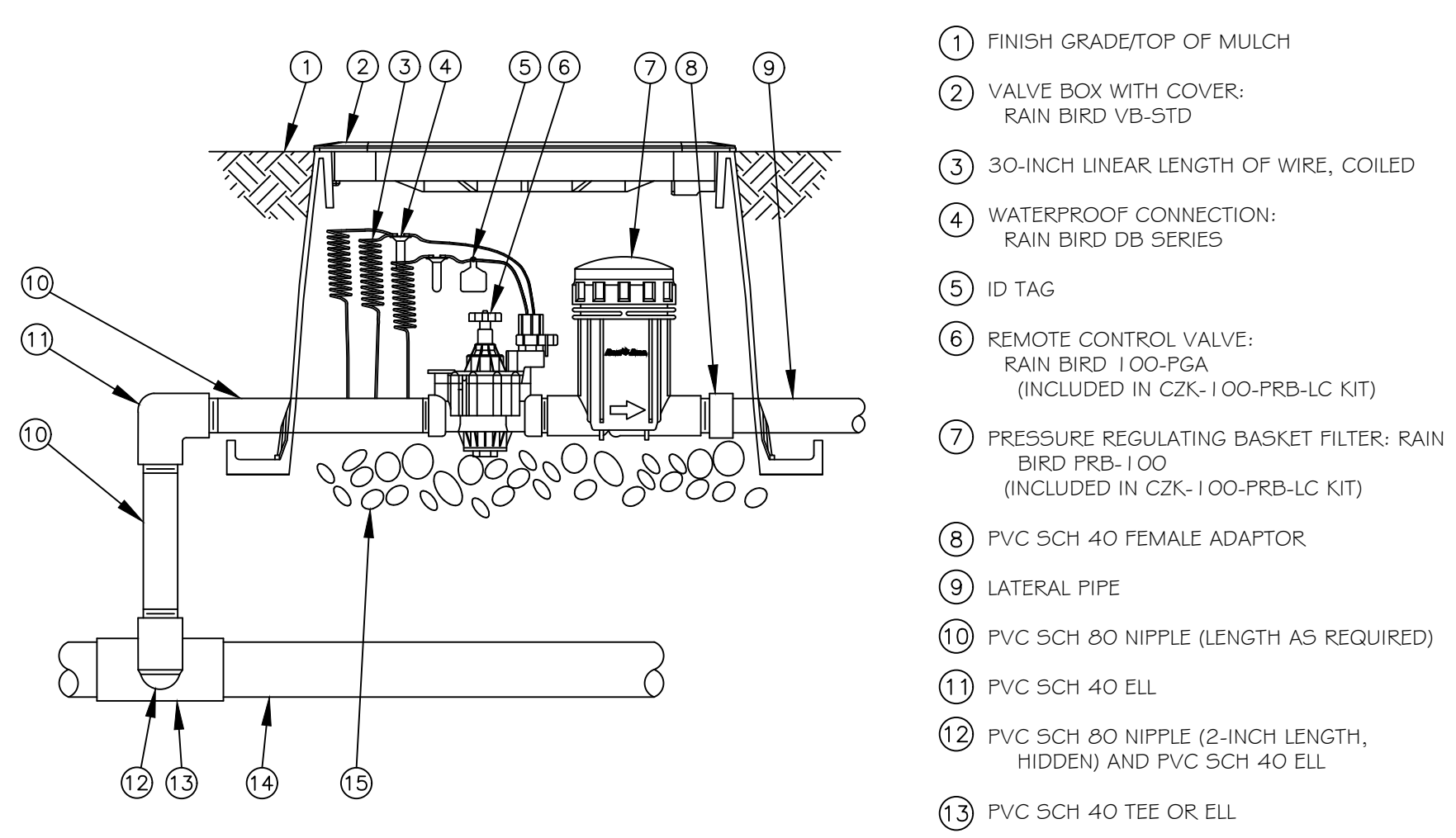
3 SHRUB PLANTING
 INSTALLATION DETAIL NO SCALE



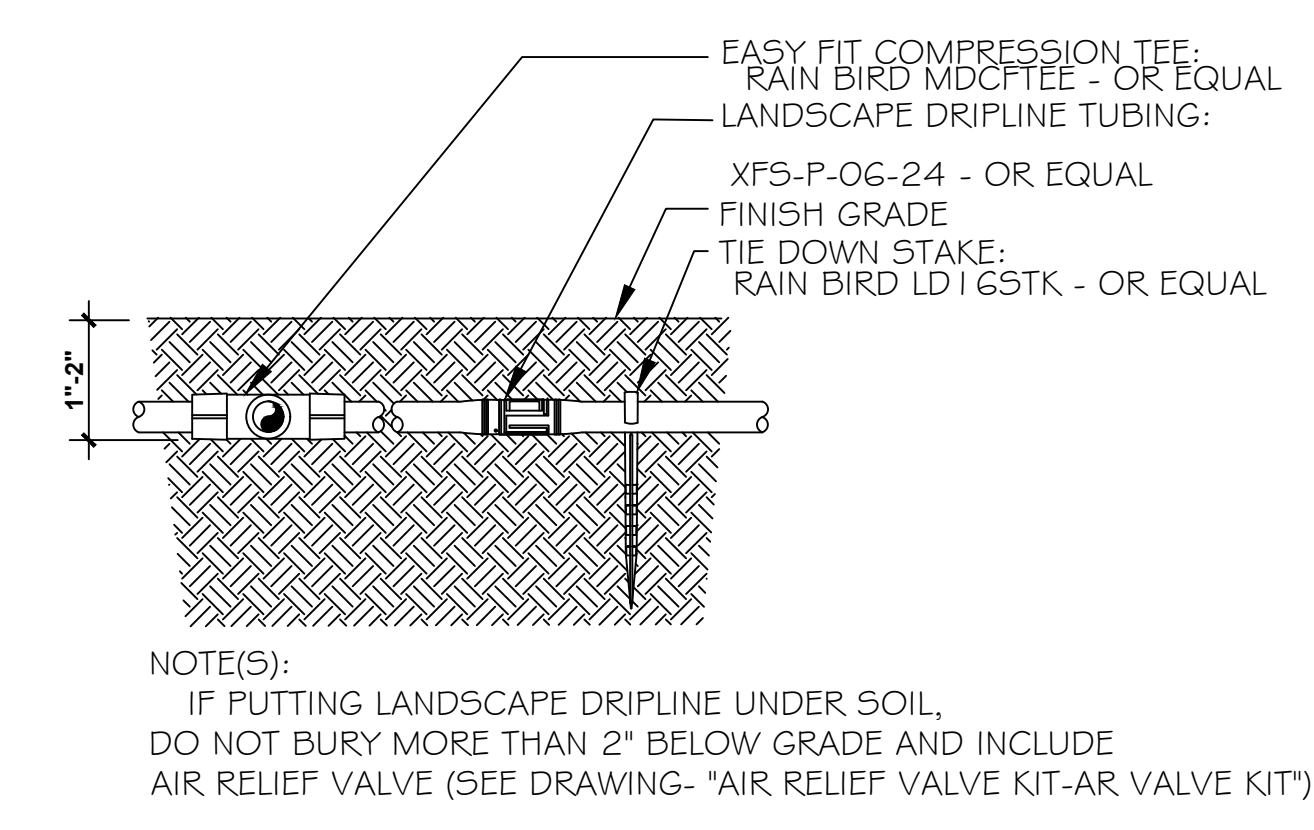
4 GROUNDCOVER PLANTING
 INSTALLATION DETAIL NO SCALE



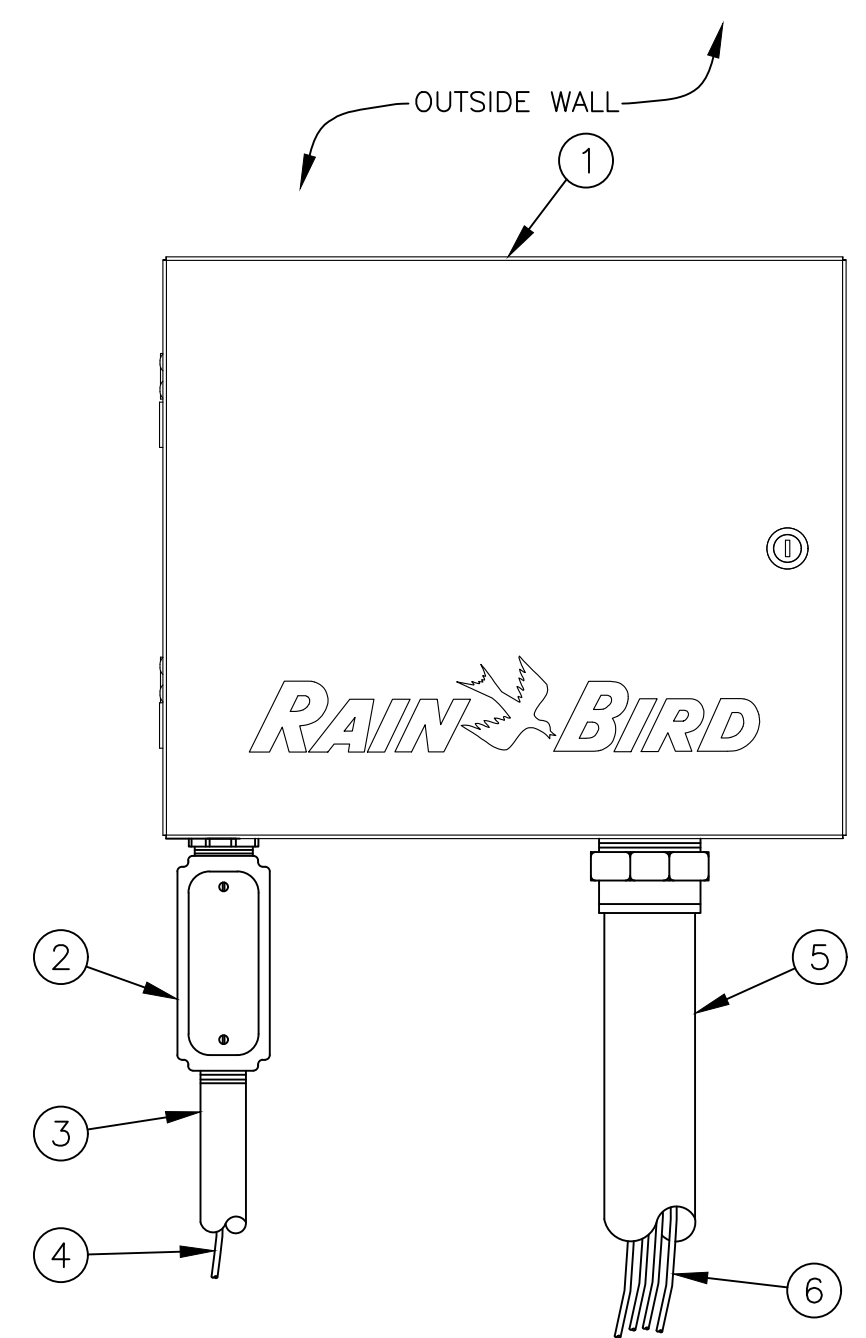
5 REDUCED PRESSURE BACKFLOW
 INSTALLATION DETAIL NO SCALE



6 CONTROL ZONE KIT
 INSTALLATION DETAIL NO SCALE



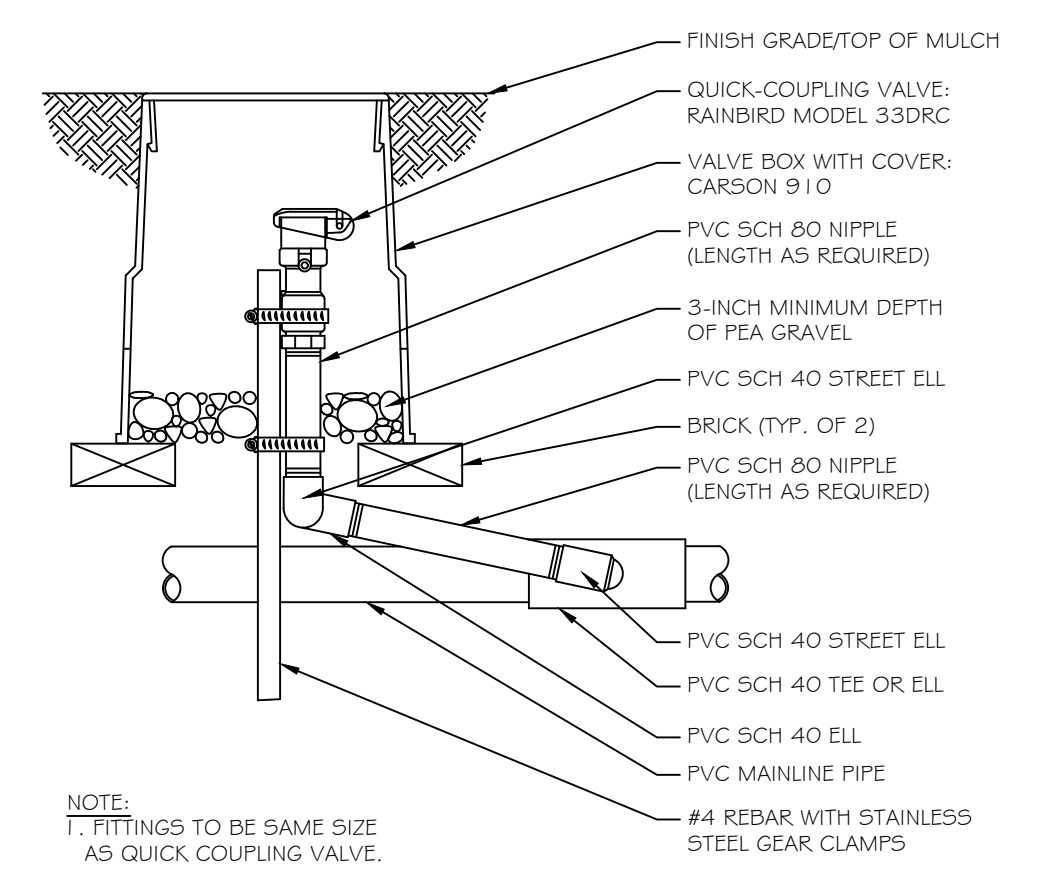
7 LANDSCAPE DRIPLINE - BELOW GRADE
 INSTALLATION DETAIL NO SCALE



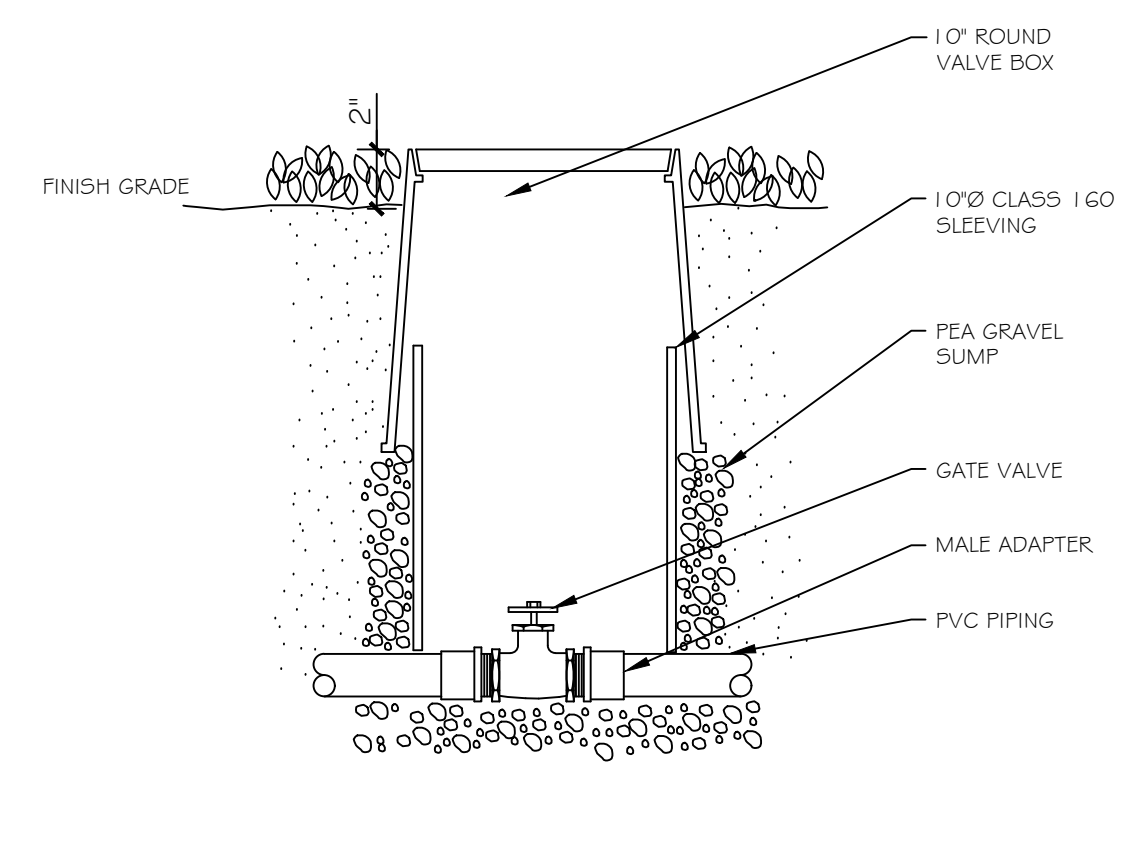
8 IRRIGATION CONTROLLER
 INSTALLATION DETAIL NO SCALE

- 1 IRRIGATION CONTROLLER: RAIN BIRD ESP-LXME CONTROLLER IN LXMM METAL CABINET WITH OUTSIDE WALL MOUNT. INSTALL CONTROLLER AND CABINET ON WALL PER MANUFACTURER'S RECOMMENDATIONS.
- 2 JUNCTION BOX
- 3 1-INCH CONDUIT AND FITTINGS TO POWER SUPPLY
- 4 POWER SUPPLY WIRE
- 5 2-INCH CONDUIT AND FITTINGS FOR STATION WIRES
- 6 WIRES TO REMOTE CONTROL VALVES

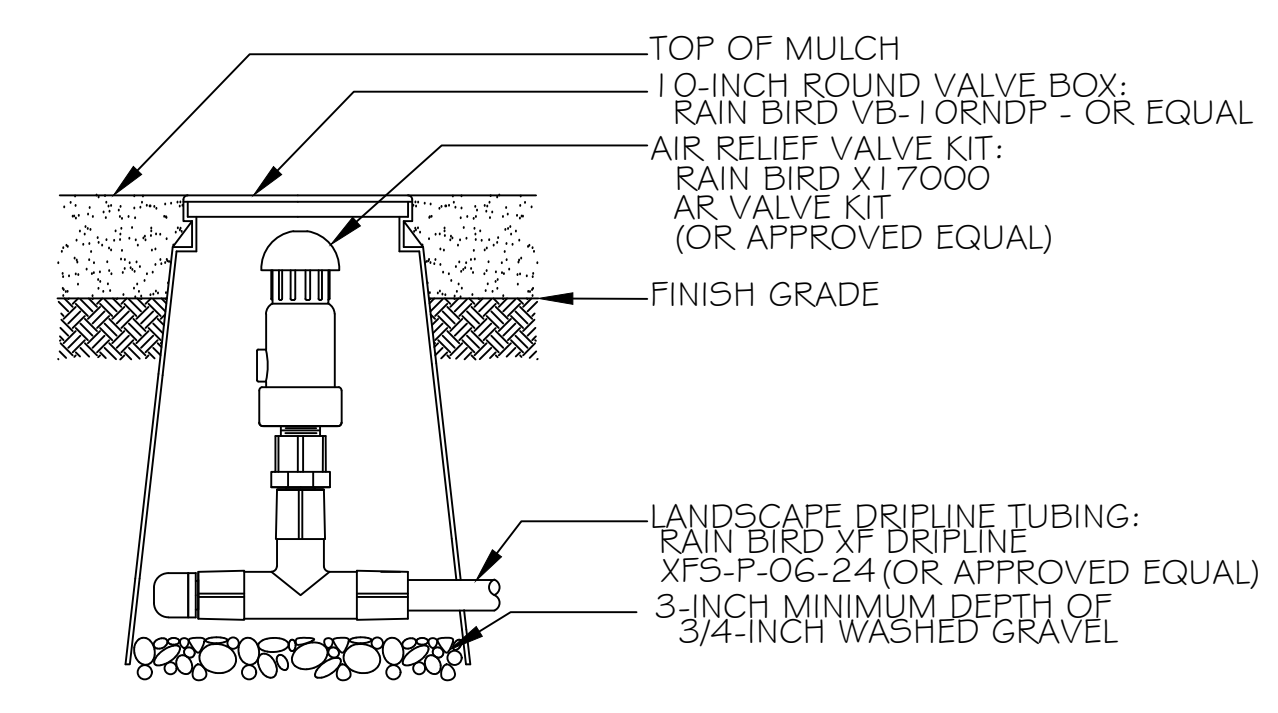
NOTES:
 1. ESP-LXME CONTROLLER IS AVAILABLE IN 8- OR 12-STATION BASE MODELS. ADDITIONAL MODULES IN 4-, 8- AND 12-STATION VERSIONS MAY BE ADDED TO BRING THE CONTROLLER UP TO 48 STATIONS MAXIMUM.
 2. FOR EASE OF INSTALLATION INTO A CONTROLLER WITH MORE THAN 24 STATIONS, INSTALL A JUNCTION BOX AT THE BASE OF CONTROLLER AND TRANSITION LARGER VALVE AND COMMON WIRES FROM FIELD TO 18 AWG MULTI CONDUCTOR WIRE TO BE USED IN CONTROLLER.
 3. USE STEEL CONDUIT FOR ABOVE GRADE AND SCH 40 PVC CONDUIT FOR BELOW GRADE CONDITIONS.
 4. PROVIDE PROPER GROUNDING COMPONENTS TO ACHIEVE GROUND RESISTANCE OF 10 OHMS OR LESS.



9 QUICK COUPLING
 INSTALLATION DETAIL NO SCALE



10 GATE VALVE
 INSTALLATION DETAIL NO SCALE



11 AIR RELIEF VALVE- IN KIT
 INSTALLATION DETAIL NO SCALE

DRAFT